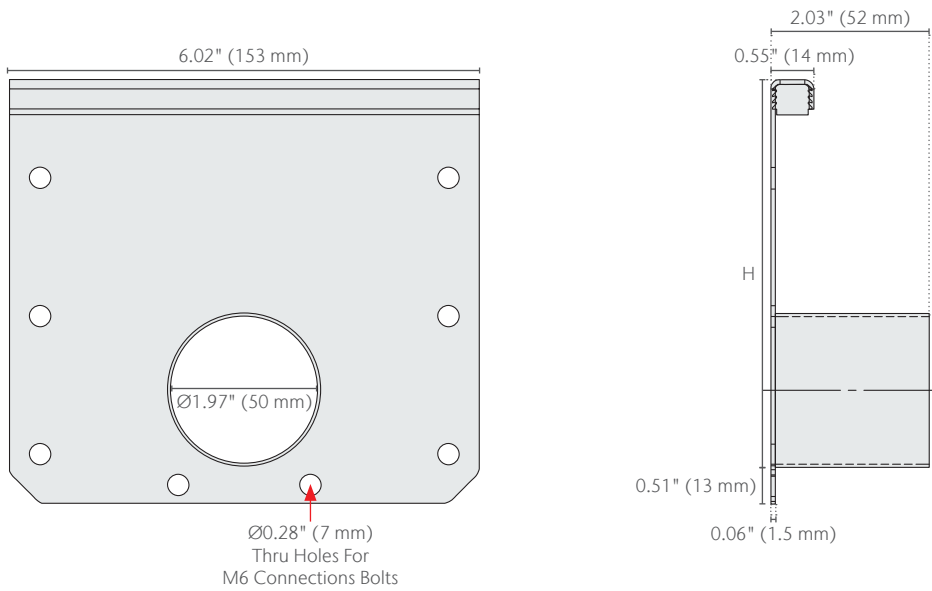


# End Cap with 2" Outlet - MOD125



Part No.	Material	H	Weight lbs
409116	AISI 304	3.74 (95)	0.7
409117	AISI 304	4.33 (110)	0.9
409118	AISI 304	4.92 (125)	1.1
409121	AISI 316L	3.74 (95)	0.7
409122	AISI 316L	4.33 (110)	0.9
409123	AISI 316L	4.92 (125)	1.1

## Specification Summary

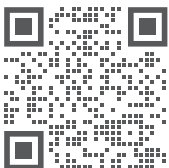
ACO Modular 125 outlet end caps. Overall width 6.02", total height varies - see tables. Made from 16 ga (1.5 mm) AISI 304 or AISI 316L, pickle passivated finish. All caps provided with NBR seal and connection bolts. Used on ACO Modular 125 channels.

ACO recommends checking local plumbing codes prior to installation.

## ACO, Inc.

© January 2026 ACO, Inc.

All reasonable care has been taken in compiling the information in this document. All recommendations and suggestions on the use of ACO products are made without guarantee since the conditions of use are beyond the control of the company. It is the customer's responsibility to ensure that each product is fit for its intended purpose and that the actual conditions of use are suitable. ACO, Inc. reserves the right to change products and specifications without notice.



info@acousa.com  
www.acousa.com

